

FLASHNI SOUNDER

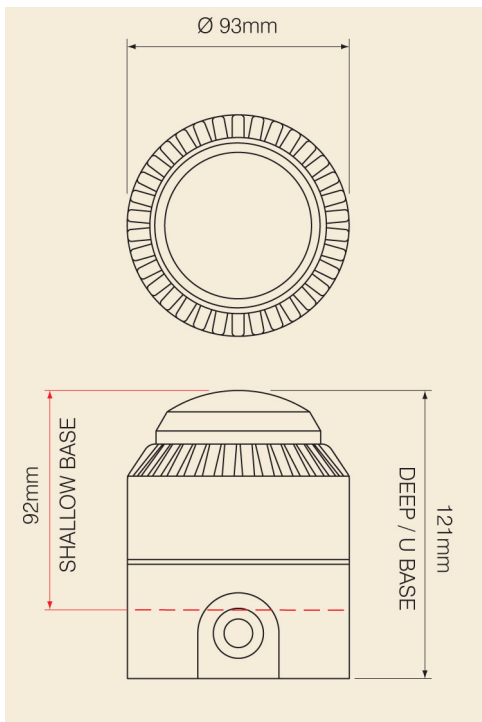


Product Overview

The Flashni is an audible and visual device which requires one single installation point. This greatly reduces installation and costs and is much less obtrusive than two separate devices. Versions are available with the sounder and beacon linked, or with separate terminals for independent operation.

Features

- HIGH OUTPUT SOUNDER BEACON
- AUTOMATIC SOUNDER SYNCHRONISATION
- VOLUME CONTROL
- CHOICE OF LENS / SOUNDER COLOUR COMBINATIONS
- BASE COMPATIBLE WITH THE RoLP & SOLEX BEACONS
- LOCKABLE BASE



Specification

Voltage	18 - 28Vdc (24V version) (*1)
Current	110mA 12V version (Typical Tone 5) 68mA 24V version (Typical Tone 3)
Sound Output	103dB(A) 12V version (Typical Tone 5) 101dB(A) 24V version (Typical Tone 3)
Tones	Pre-set to tone 5 (12v) Pre-set to tone 3 (24v) (versions are available with user selectable tones)
Flash Power	0.7j
Flash Rate	1Hz
Volume Control	20dB
Monitoring	Reverse polarity
Temperature	- 10°C to + 55°C
Protection	IP54 (s)* IP65 (d)*
Construction	ABS, PC lens
Weight	0.33Kg
Colours	Red or white
Lens Colour	Red, amber, blue, green or clear

(*1) 110 to 230Vac with powered base
(s)* Shallow Base
(d)* Deep Base